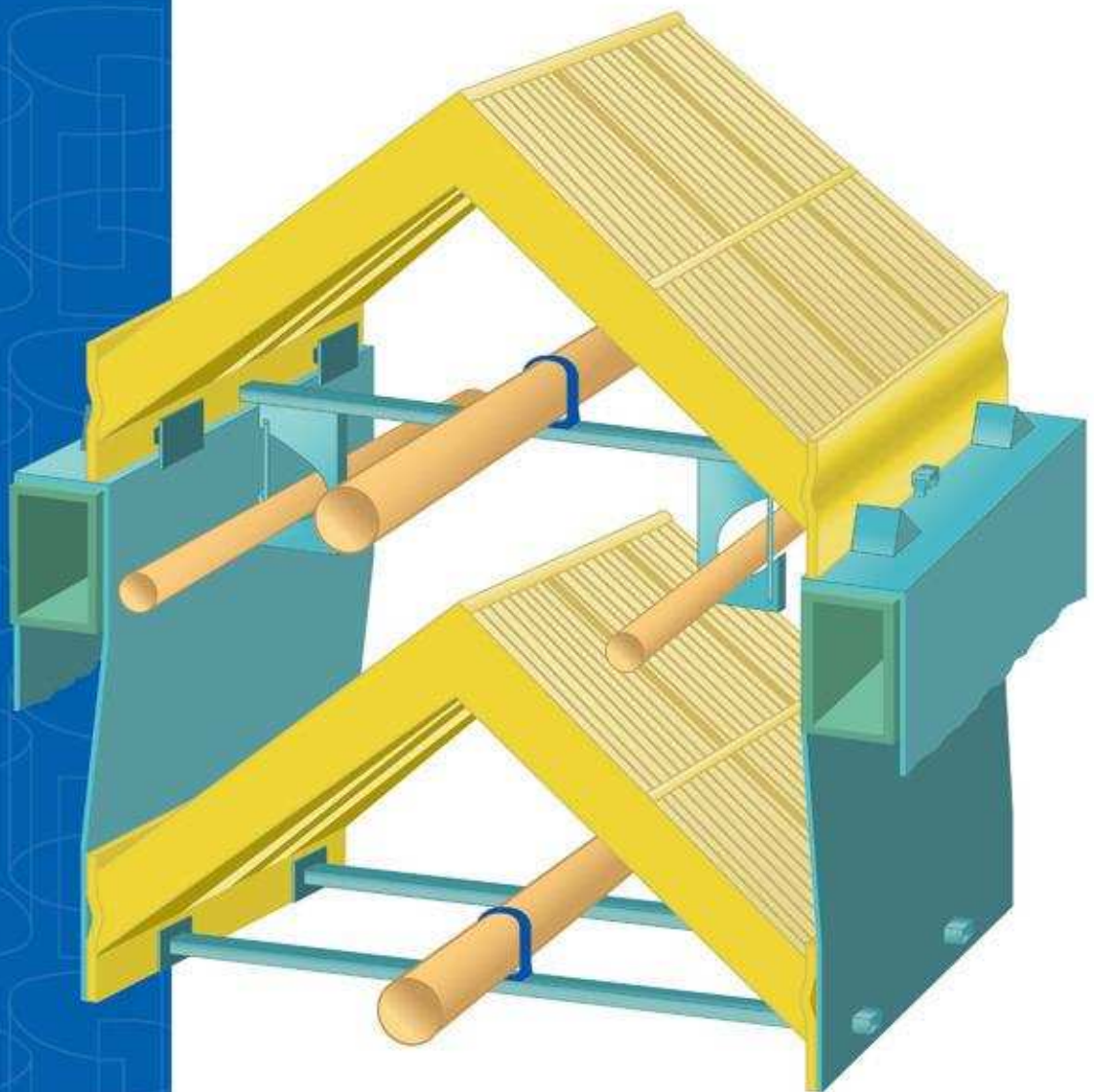


Single support structure for two layer roof design

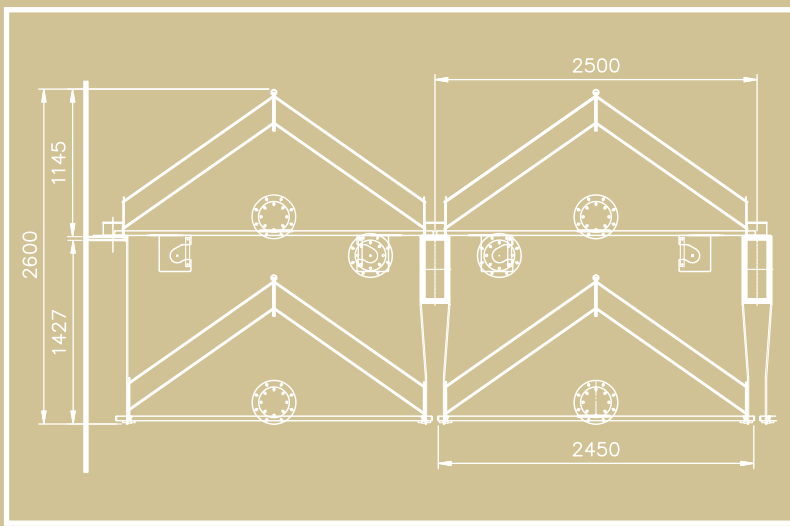
RPT's advanced mist eliminator design for the high performance FGD at lower costs



Design:

The double roof mist eliminator is a full two level mist eliminator which is installed on a single layer support structure. The demister wash system, including supports, may also be incorporated into the design.

It provides a very compact design; requiring only 2500 – 2600 mm of height.



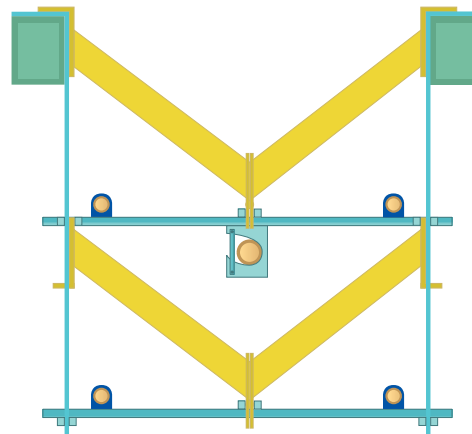
Function and characteristics:

The double roof mist eliminator provides significantly improved process performance even when compared to other competitive roof designs.

This design includes a very low pressure drop, superior separation, even at high gas velocities up to 8 m/s, and a very reliable performance.

Alternative model design:

For special applications, the alternative of an inverted „double V” configuration is offered. This configuration is ideally suited when the scrubber design has a minimal height above the mist eliminator.



Advantages of RPT's design:

- Single level of support beams thus minimizing capital costs
- Minimal height requirement thus reducing required overall scrubber height
- Lower pressure drop
- Superior separation of entrained moisture



ISO-Nummer: EPT-05-67-Q



Hermann-Riemschneider-Str. 7
16816 Neuruppin
Germany

Tel.: +49 (0) 3391-40 48 1-0
Fax: +49 (0) 3391-40 48 1-210

Contact
Dr.-Ing. Georg Neubauer
Managing Director
Mobile Phone: +49 (0) 160 9685 3645
neubauer@rea-plastik-tech.de

RPT Shanghai Environmental Equipment Co., Ltd.

Unit B, Building 3, No. 16 Jinwen Road,
Zhuqiao Konggang Industrial Park,
Nanhui District
Shanghai, 201323 China
Tel.: +86 (0) 21-3375 4506
Fax: +86 (0) 21-3375 4512
Contact
Mr. Charles Cheng
Product Manager
Mobile Phone: +86 (0) 137 6162 5116
cheng_zijian@scbmc.com

上海瑞安环保设备有限公司:
上海市南汇区祝桥空港工业区金闻路16
号三幢B座, 邮编: 201323, 上海
办公室电话: +86 (0) 21-3375 4506
联系人:
程子剑 产品经理
手机: +86 (0) 137 6162 5116
邮箱: cheng_zijian@scbmc.com

SCBMC Beijing Office

Room 1202, Building 15,
China Central Place,
No.89 Jianguo Road,
Chaoyang District, Beijing 100025
Tel.: +86 (0) 10-5165 0099 *313
Fax: +86 (0) 10-6530 7430

Contact
Mr. Peter Lin
Sales Manager
Mobile Phone: +86 (0) 138 0126 0240
lin_jianping@scbmc.com

北京办事处:
地址: 北京市朝阳区建国路89号华贸中心
15号楼1202室
邮编: 100025
办公室电话: +86 (0) 10-5165 0099 *313
联系人:
林建平 销售经理
手机: +86 (0) 138 0126 0240
邮箱: lin_jianping@scbmc.com

