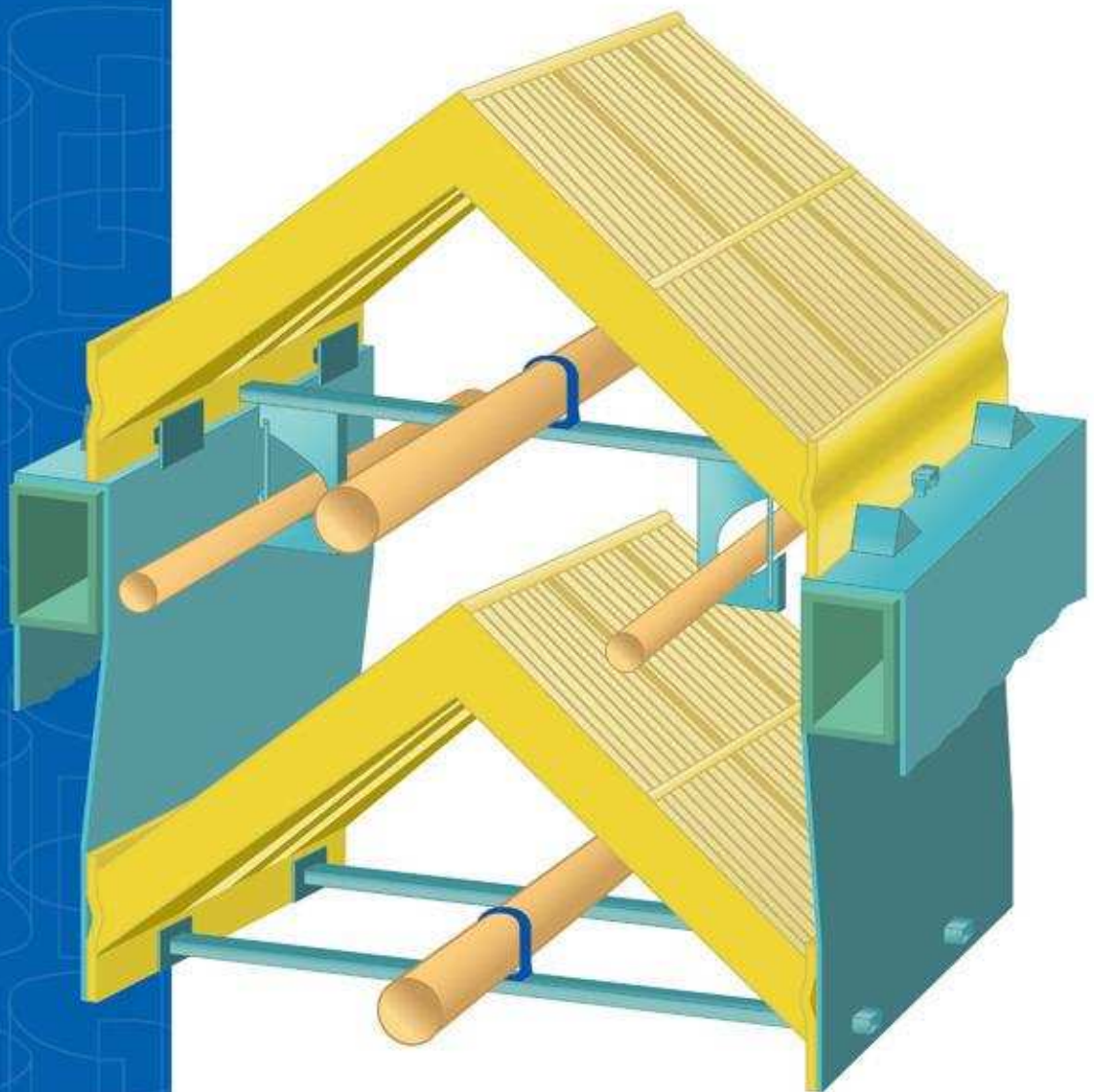


## Single support structure for two layer roof design

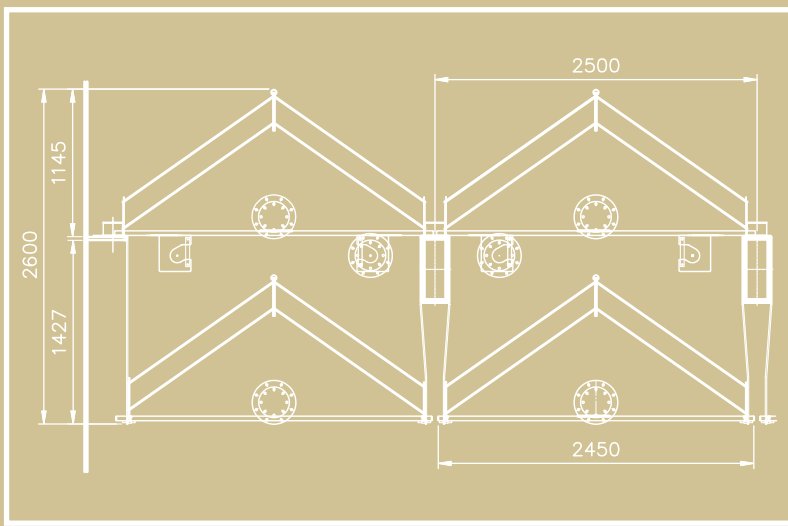
RPT's advanced mist eliminator design for the high performance FGD at lower costs



### Design:

The double roof mist eliminator is a full two level mist eliminator which is installed on a single layer support structure. The demister wash system, including supports, may also be incorporated into the design.

It provides a very compact design; requiring only 2500 – 2600 mm of height.



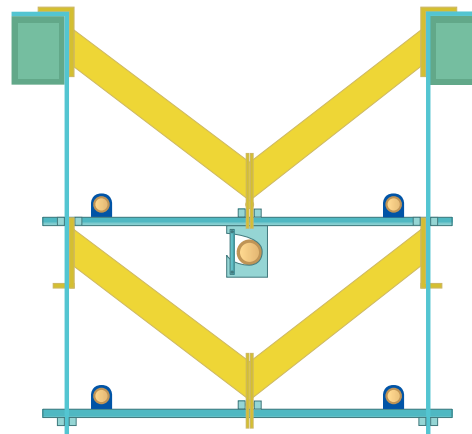
## Function and characteristics:

The double roof mist eliminator provides significantly improved process performance even when compared to other competitive roof designs.

This design includes a very low pressure drop, superior separation, even at high gas velocities up to 8 m/s, and a very reliable performance.

## Alternative model design:

For special applications, the alternative of an inverted „double V“ configuration is offered. This configuration is ideally suited when the scrubber design has a minimal height above the mist eliminator.



## Advantages of RPT's design:

- Single level of support beams thus minimizing capital costs
- Minimal height requirement thus reducing required overall scrubber height
- Lower pressure drop
- Superior separation of entrained moisture



ISO-Nummer: EPT-05-67-Q



Hermann-Riemschneider-Str. 7  
16816 Neuruppin  
Germany

Tel.: +49 (0) 3391-40 48 1-0  
Fax: +49 (0) 3391-40 48 1-210

